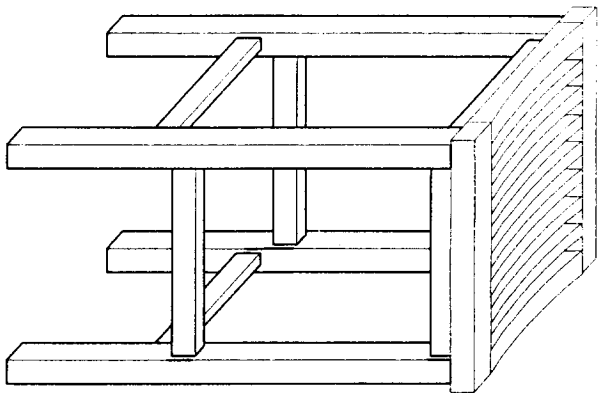


# ASSEMBLY INSTRUCTION



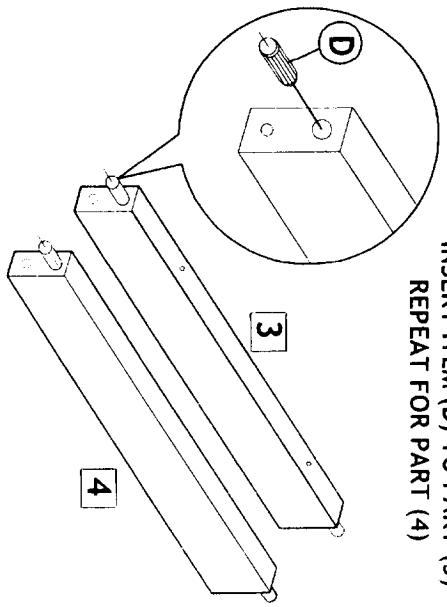
**PART IDENTIFICATION**

PART	QTY
1 SEAT (1 pc)	
2 LEG FRAME (2 pcs)	
3 APRON (2 pcs)	
4 CROSSBAR (2 pcs)	

**HARDWARE PACKAGE**

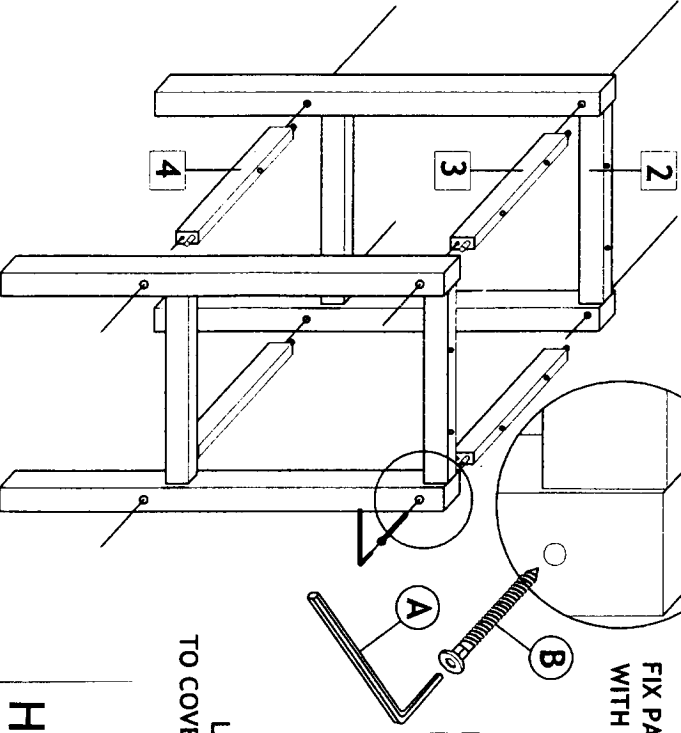
ITEM	QTY
A ALLEN KEY (1 pc)	
B JCBC WOOD SCREW (8 pcs)	
C CSK SCREW (8 pcs)	
D WOOD DOWEL (8 pcs)	
E WOOD BUTTON (8 pcs)	

**STEP 1**



INSERT ITEM (D) TO PART (3)  
REPEAT FOR PART (4)

**STEP 2**



FIX PART (2) PART (3) & PART (4)  
WITH ITEM (B) BY USING ITEM (A)

**STEP 2**

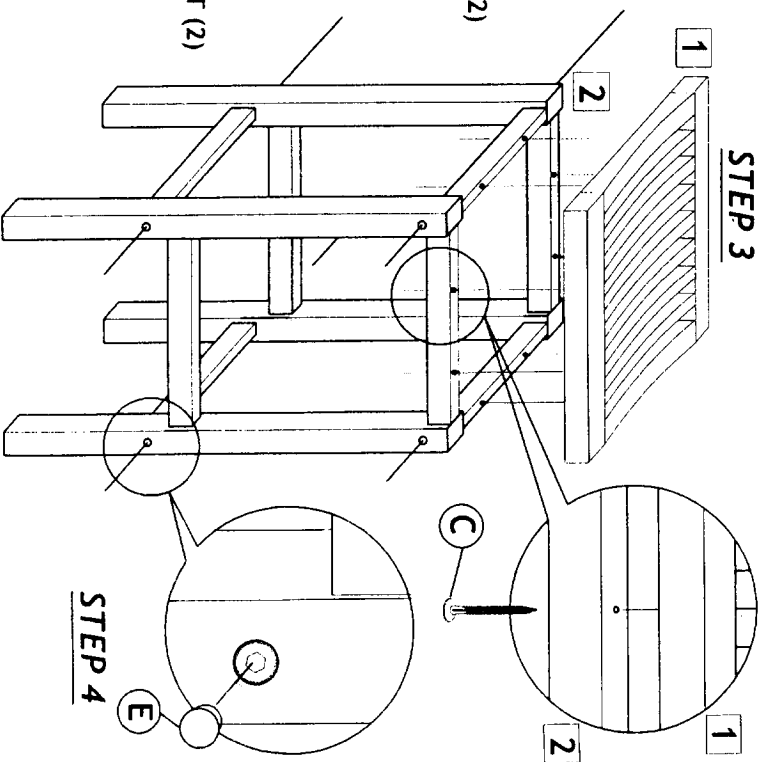
FIX THE PART (1) ONTO PART (2)  
BY USING CSK SCREW ITEM (C)

**STEP 3**

**STEP 4**

LASTLY INSERT ITEM (E)  
TO COVER ALL THE SCREW HOLES PART (2)

**STEP 3**



**STEP 4**

**HOLLAND  
HARDWOODS**