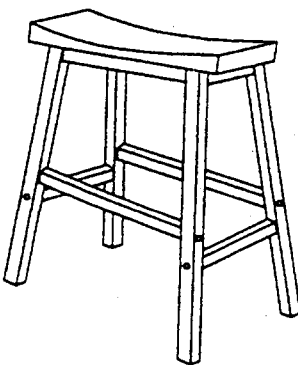



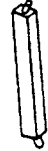
Holland Hardwoods Saddle Assembly Instructions




List of Part For 1 Set



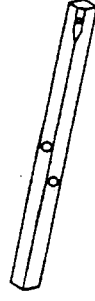
01 Seat
1 pc



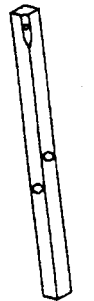
02 Short Cross Bar
2 pcs



03 Long Cross Bar
2 pcs




04 L Leg
2 pcs




05 R Leg
2 pcs


List of hardware For 1 Set




a JCBC W Screw
M7x40mm
8 pcs




b JCBC W. Screw
M7x60mm
4 pcs



c Flat Washer
4 pcs

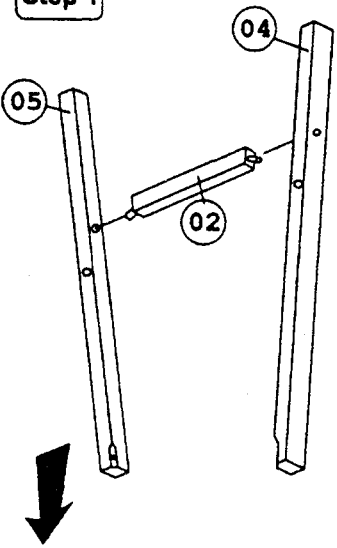


e Allen Key
M4
1 pc

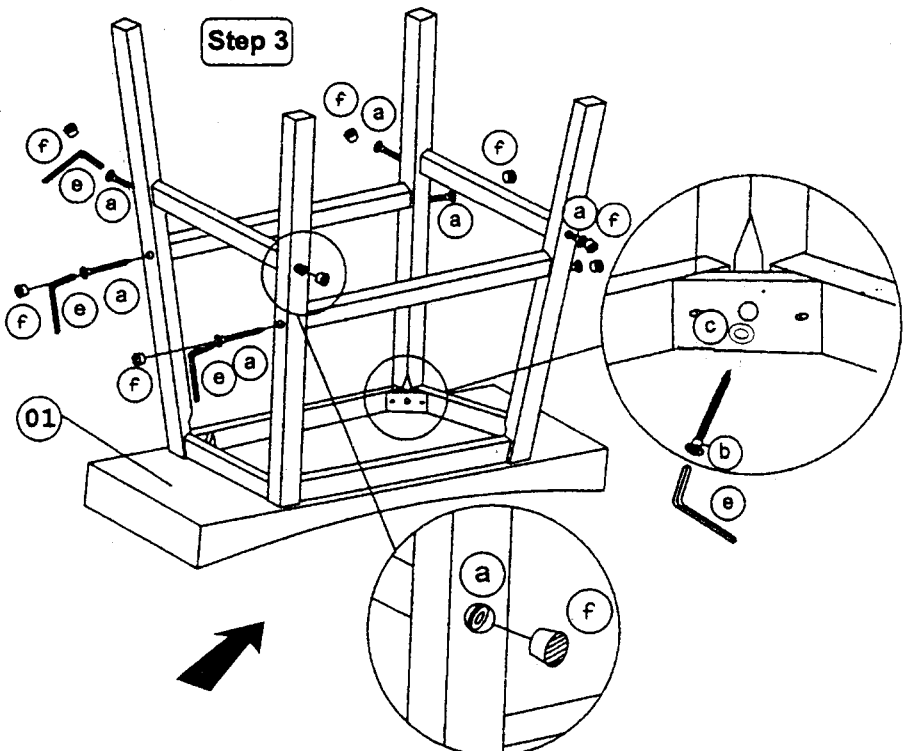


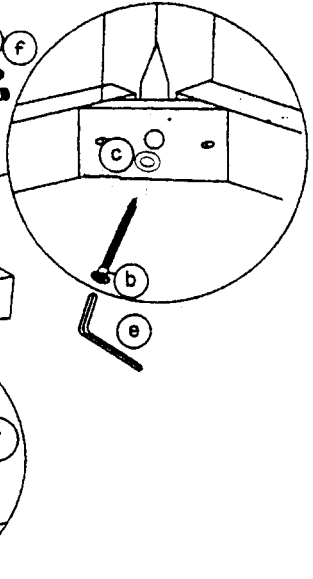
f Wood Button
8 pcs

Step 1

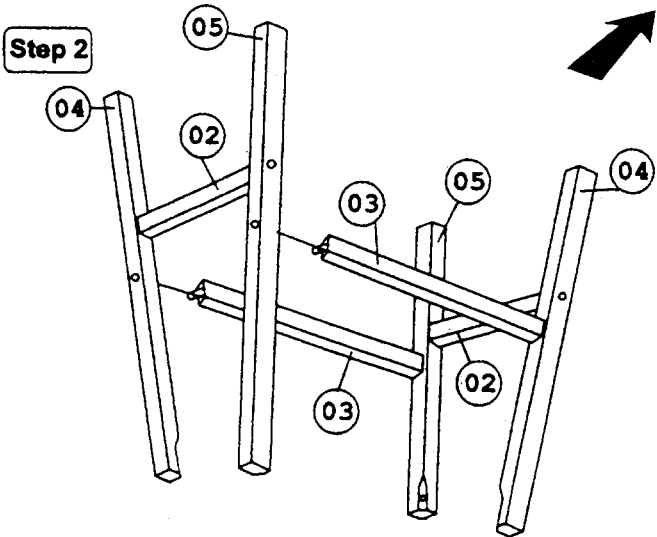


Step 3





Step 2



Notes

- * Place all wooden parts on a clean and smooth surface such as a rug or carpet to avoid the parts from being scratched.
- * Check to be sure that you have all parts and hardware.
- * Remove all wrapping materials including staples & packing straps before you start to assemble.
- * Do not tighten all screws / bolts until all completely assembled.

Care And Maintenance

- * The Touch of a soft cloth is all the maintenance your wood pieces will ever need.
- * Never use harsh chemicals or abrasive cleaner as they could mark or destroy finish.



Keep all hardware parts out reach of children.
 Must tighten screws periodically. With use screws will become loose.
 Check tightness of all screws every 6-8 weeks.
 Don't attempt o repair or modify parts that are broken of defective.
 Please contact the store immediatly.