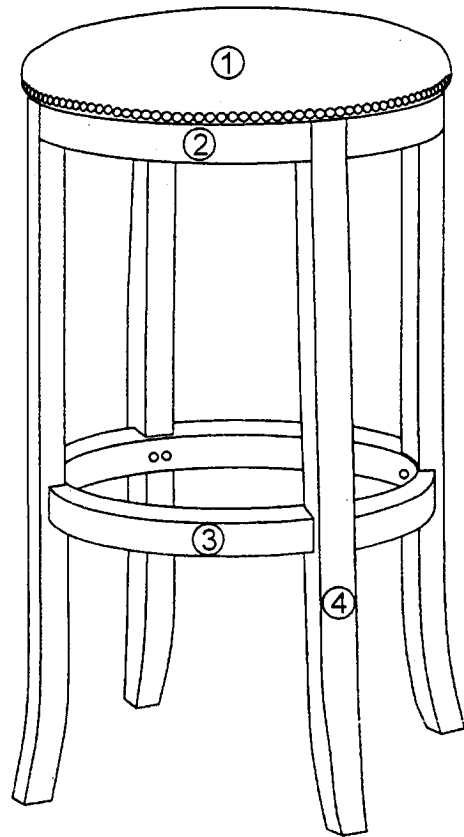
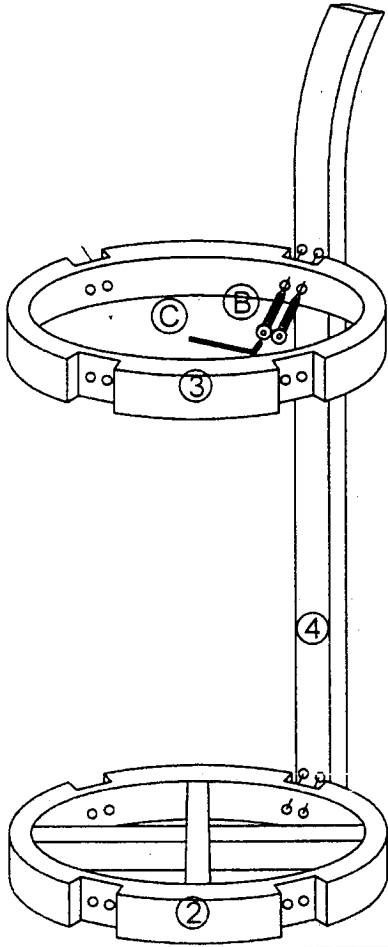


HOLLAND HARDWOODS

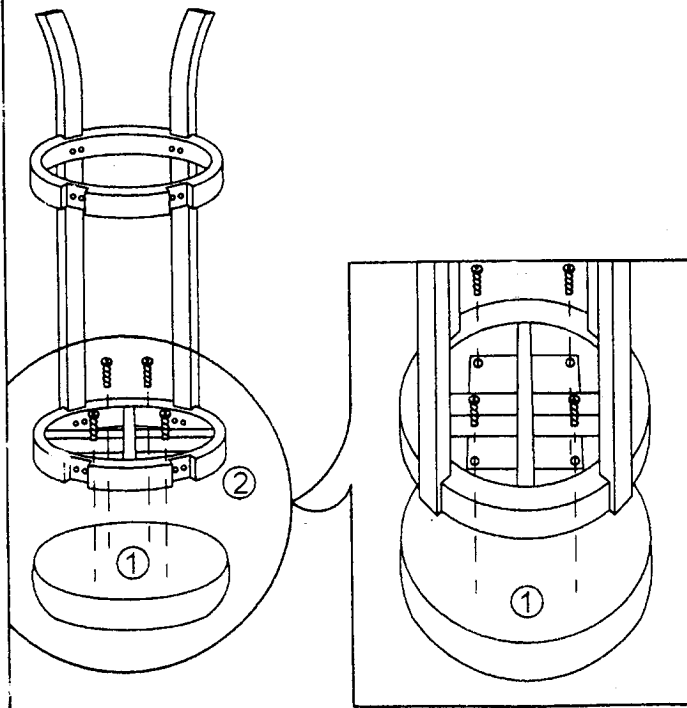
NAIL HEAD STOOL

ASSEMBLY INSTRUCTIONS

- STEP 1:
- i) APPLY GLUE (D) TO THE EXPOSED WOOD ON THE RINGS (2) & (3)
 - ii) FIX PART (2), PART (3) & PART (4) WITH ITEM (B) USING ITEM (C)



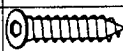


- STEP 2:
- FIX THE SWIVEL PLATE (2) ONTO THE SEAT BOARD (1) BY USING THE MACHINE JCBC SCREWS ITEM (A)



PARTS IDENTIFICATION

PART	Q'TY	DESCRIPTION
1	1pc	Cushion Seat
2	1pc	Apron Ring with swivel plate
3	1pc	Lower Ring
4	4pcs	Leg

HARDWARE PACKAGE

ITEM	Q'TY	DESCRIPTION	
A	16pcs	JCBC Screw M7 X 32mm	
B	16pcs	JCBC Screw M7 X 32mm	
C	1pc	Allen Key	

THIS BARSTOOL IS
NOT INTENDED FOR
COMMERCIAL USE